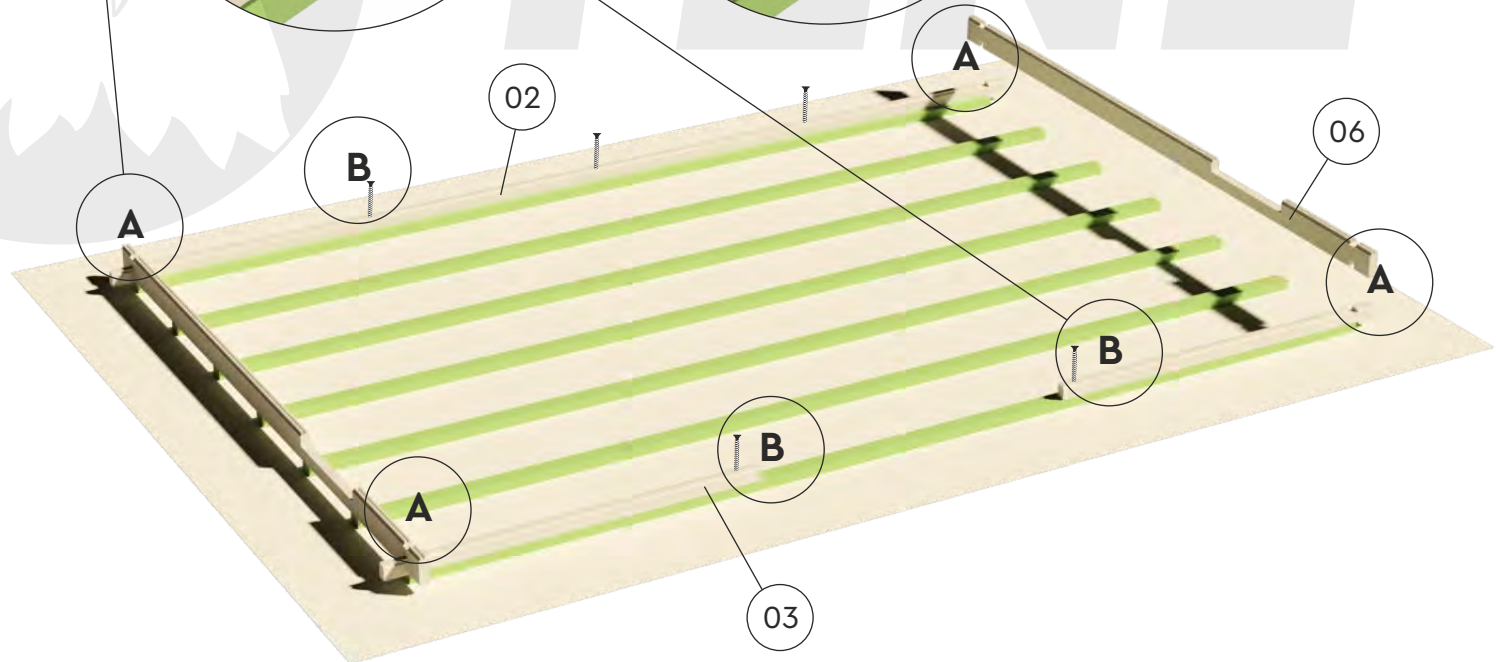
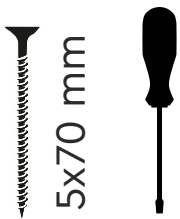
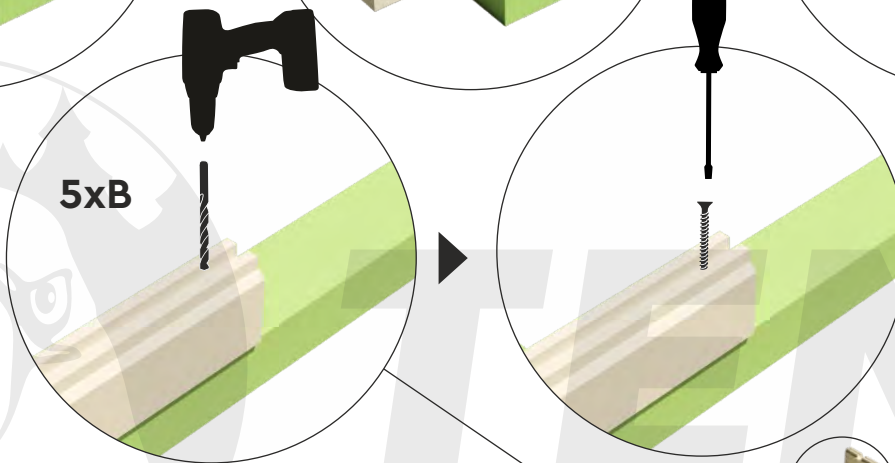
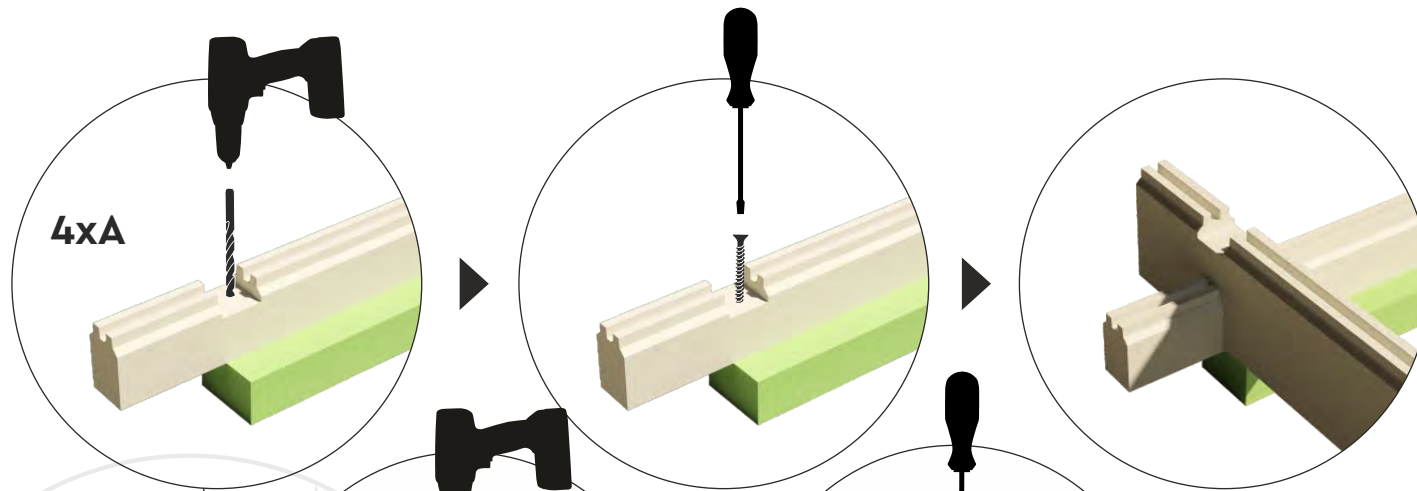
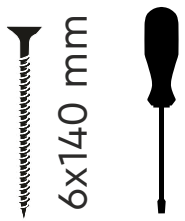
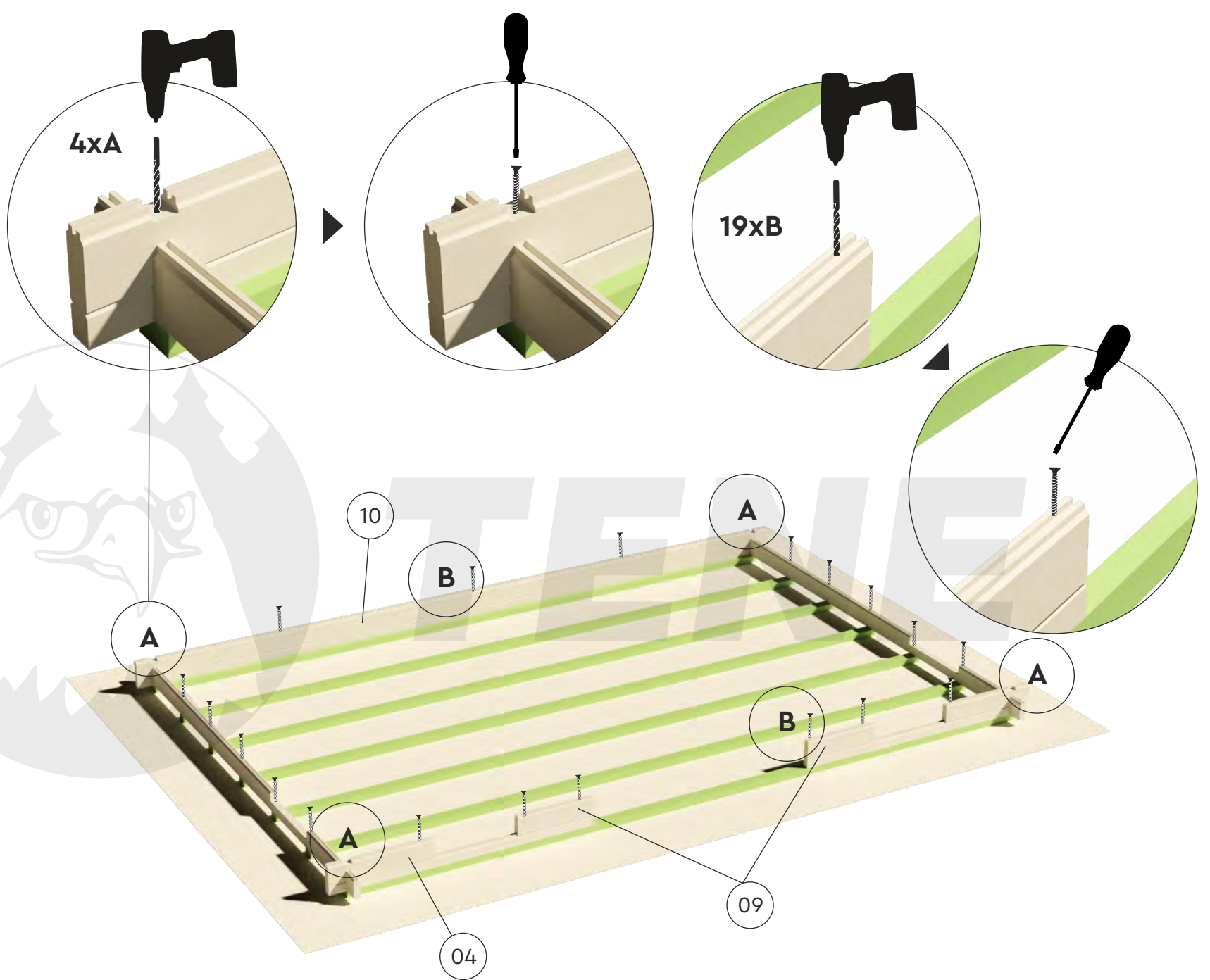
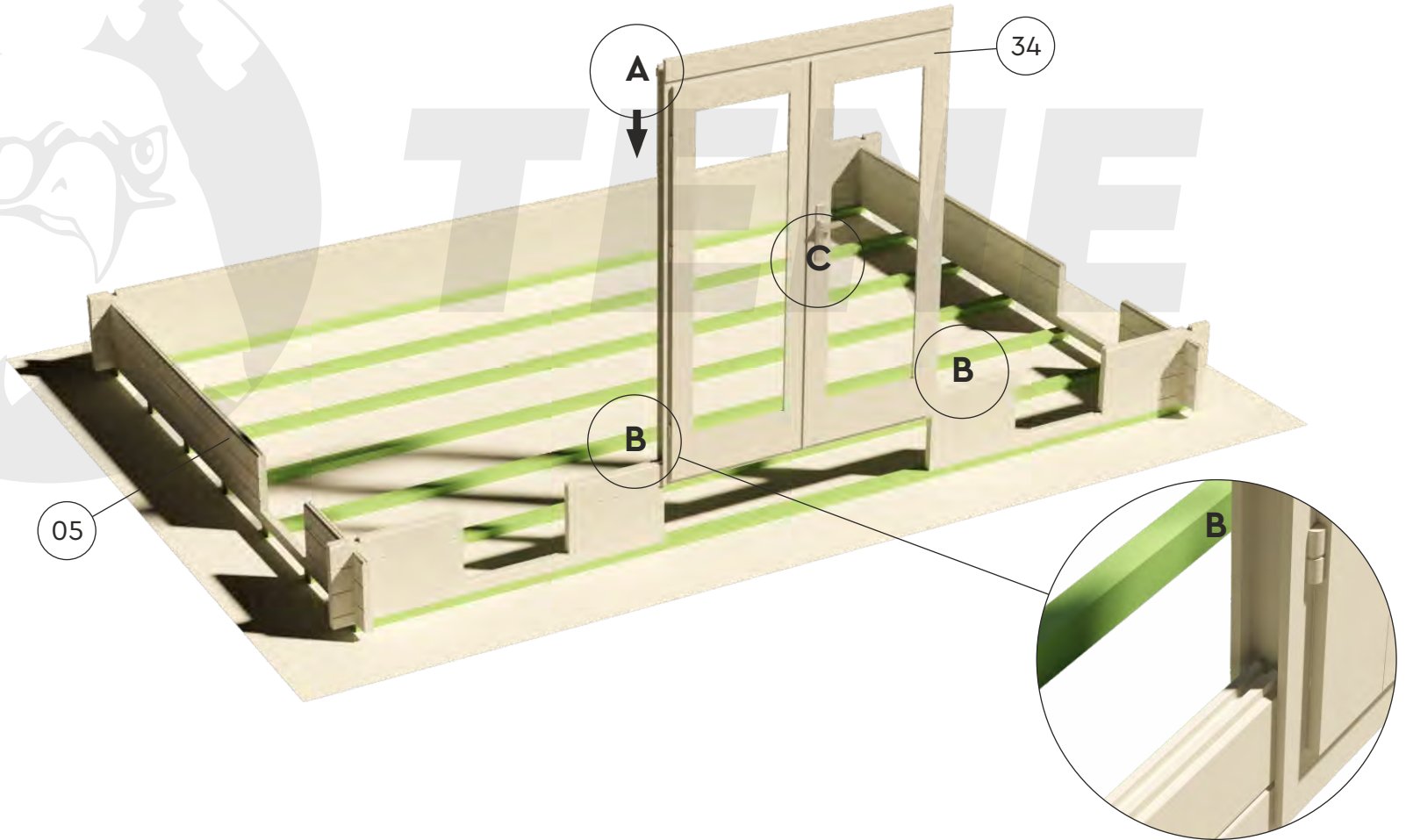
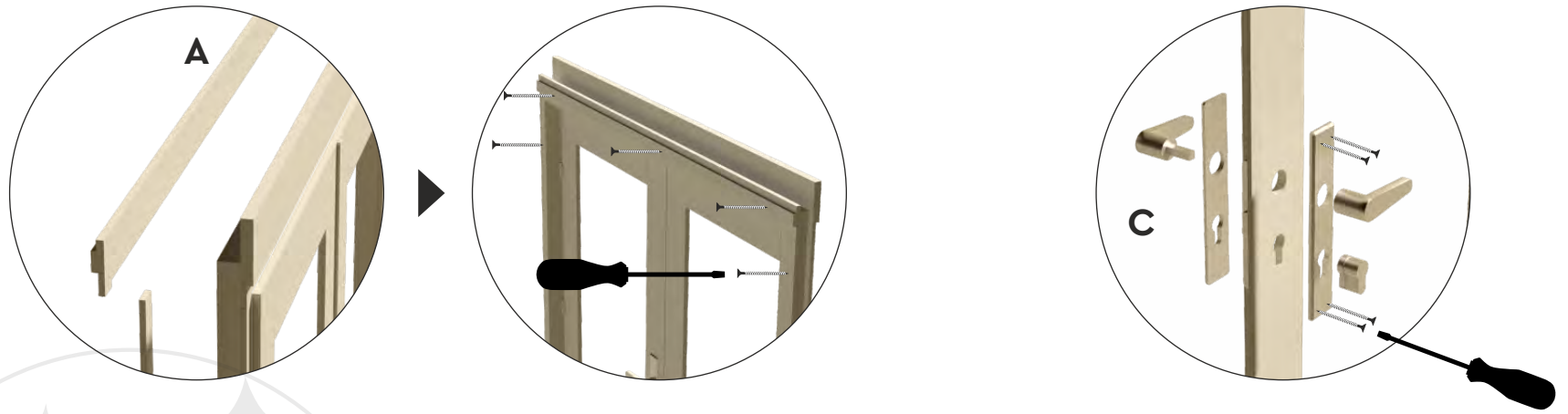


OKLAHOMA 40



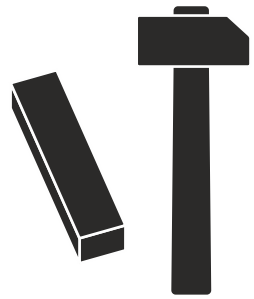
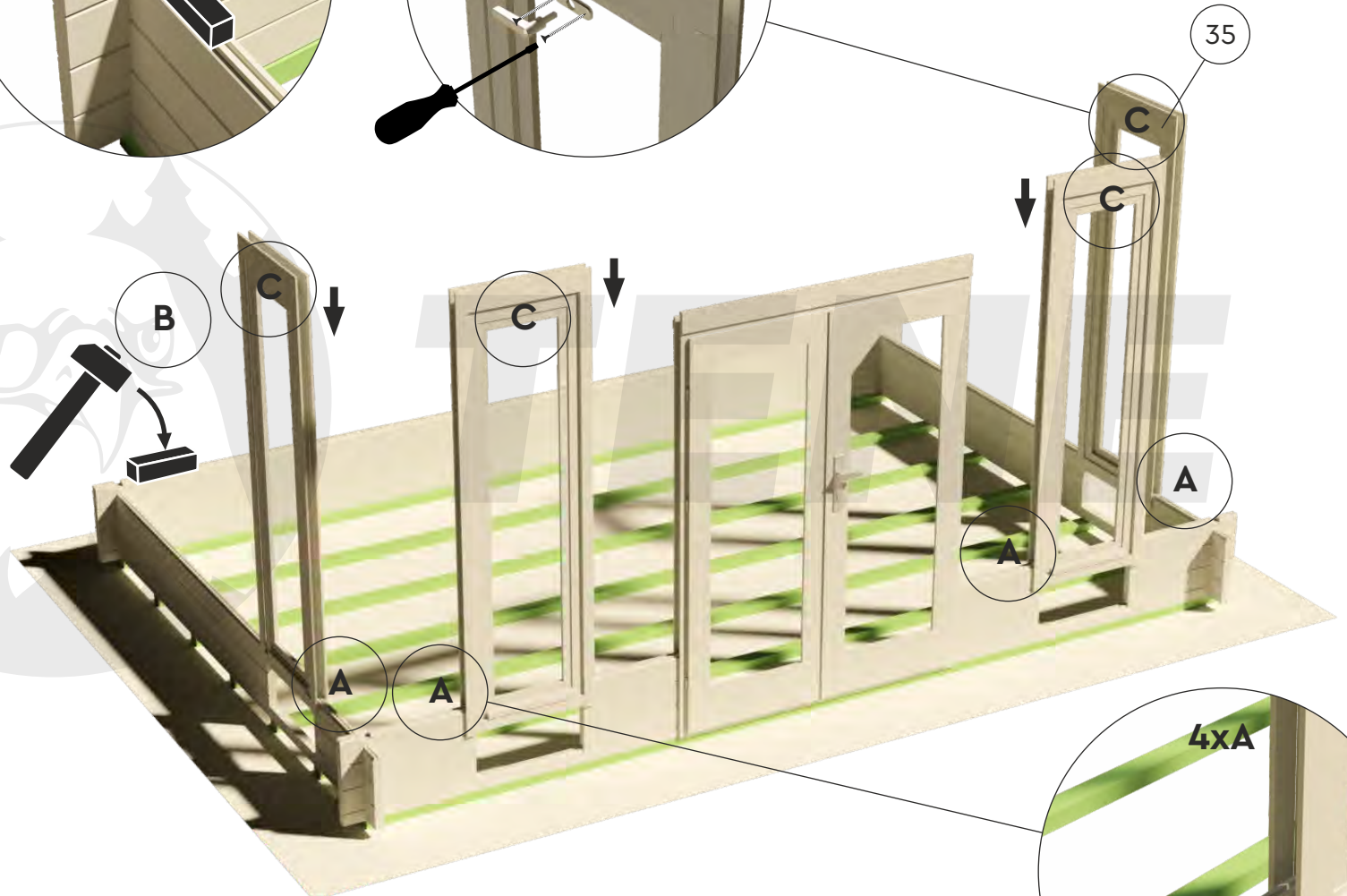
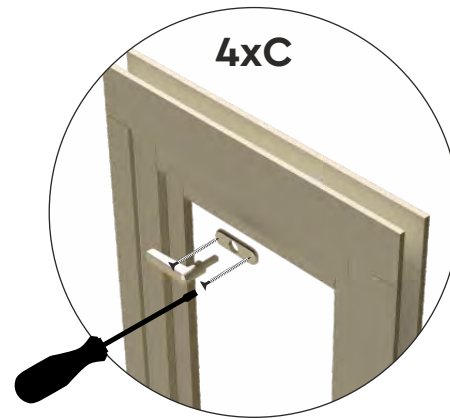
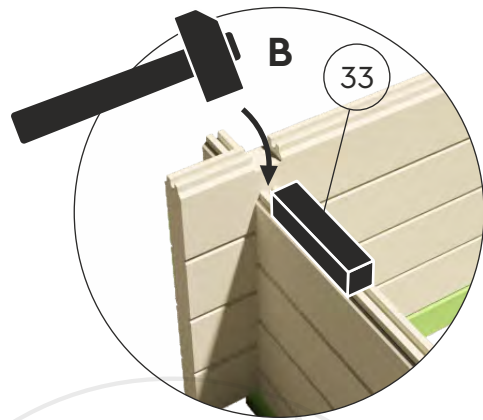
OKLAHOMA 40



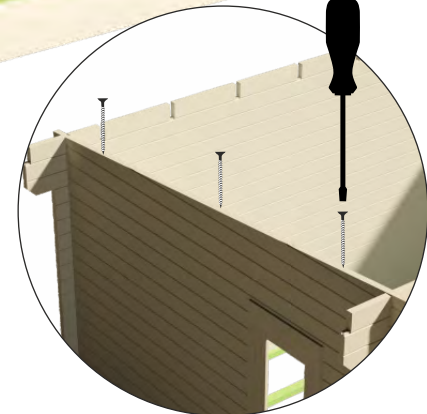
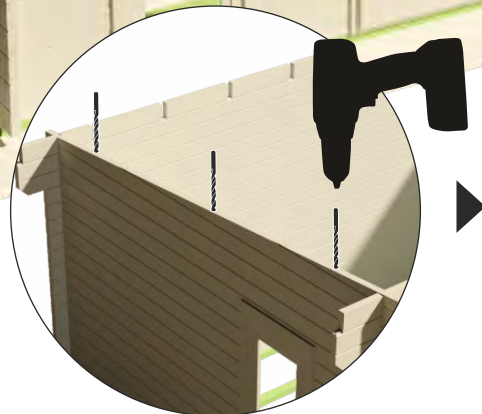
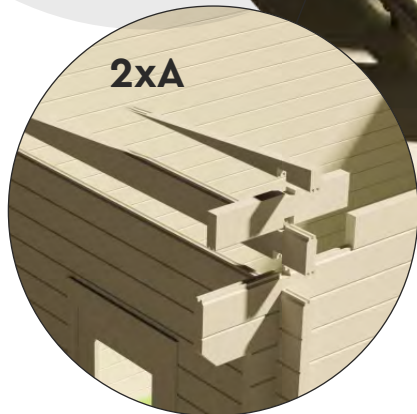
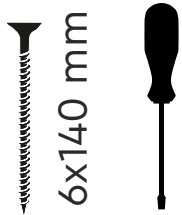
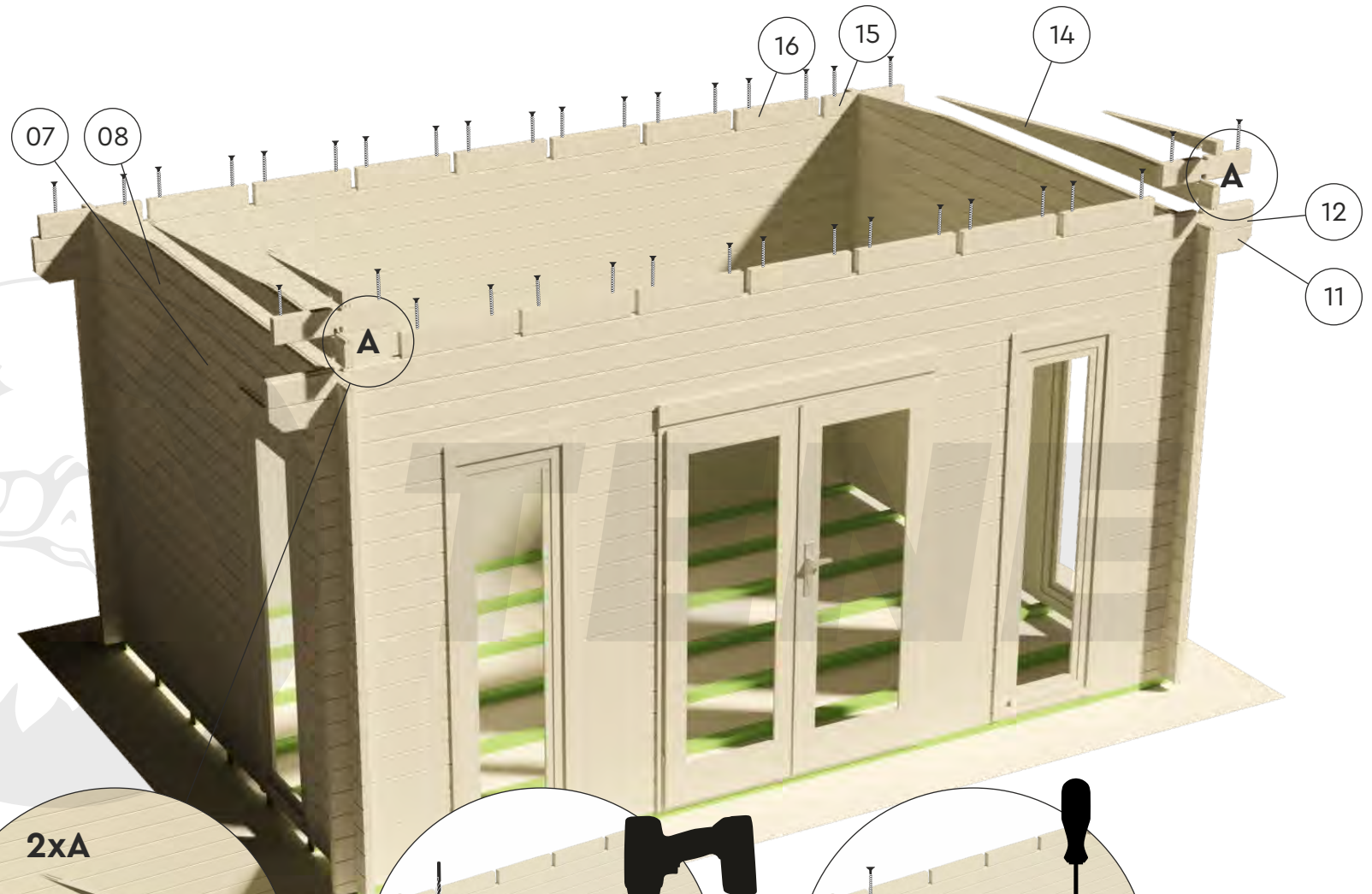


4x40 mm

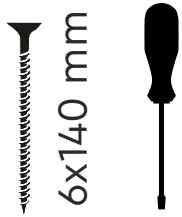
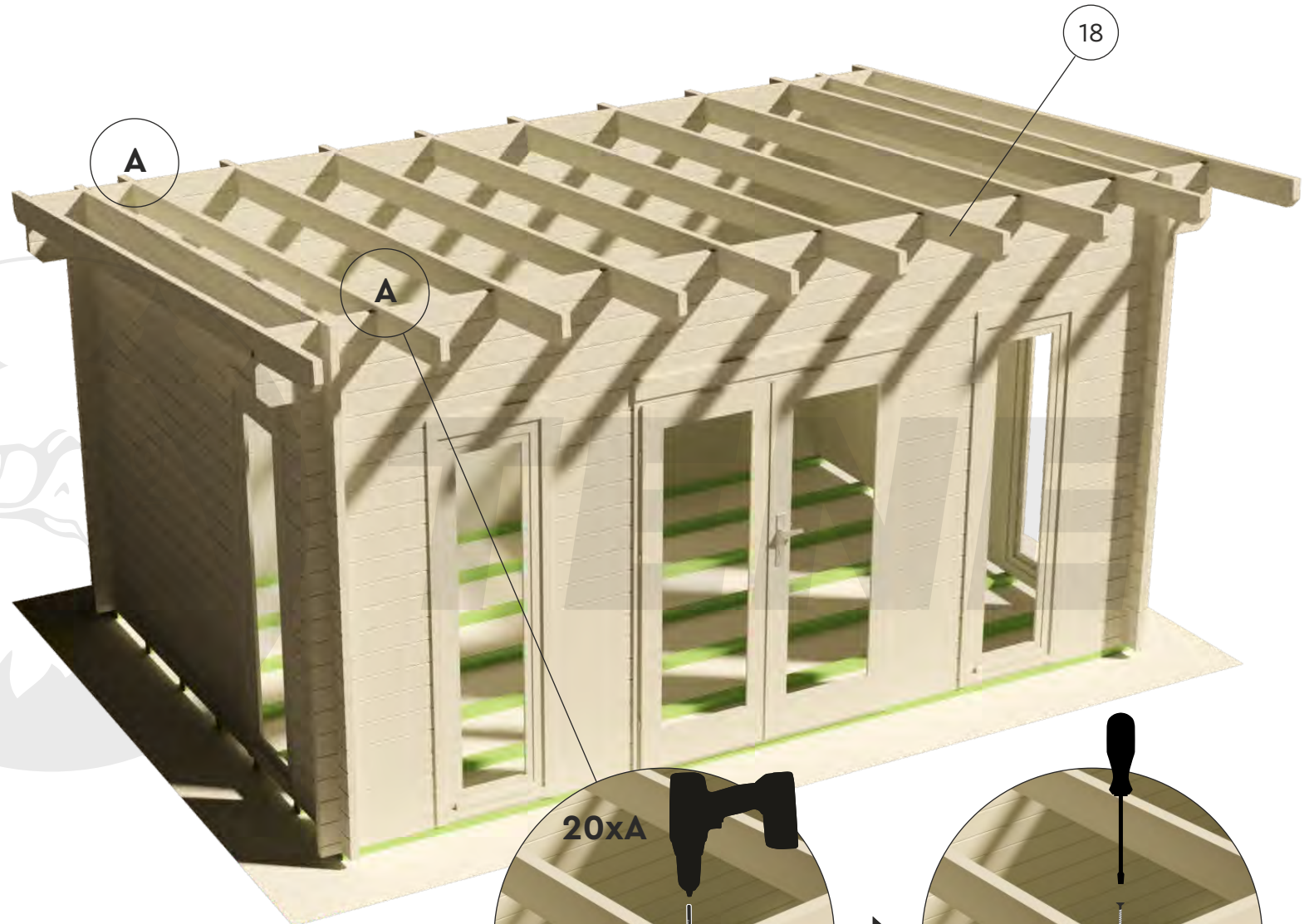




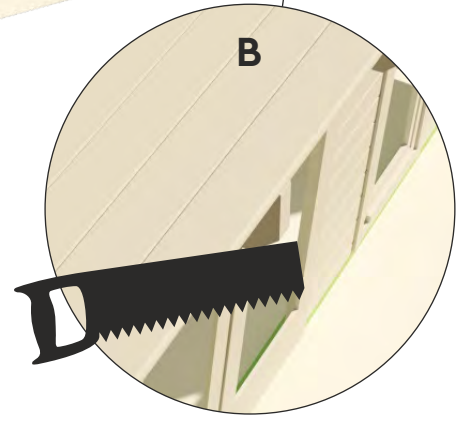
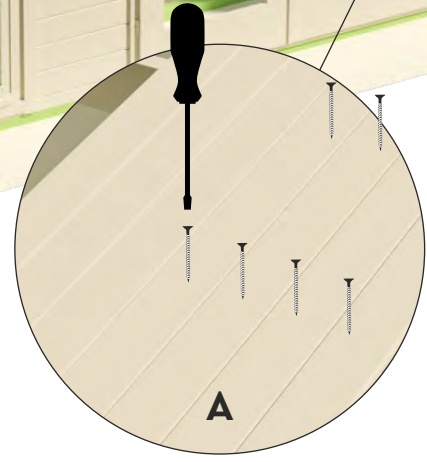
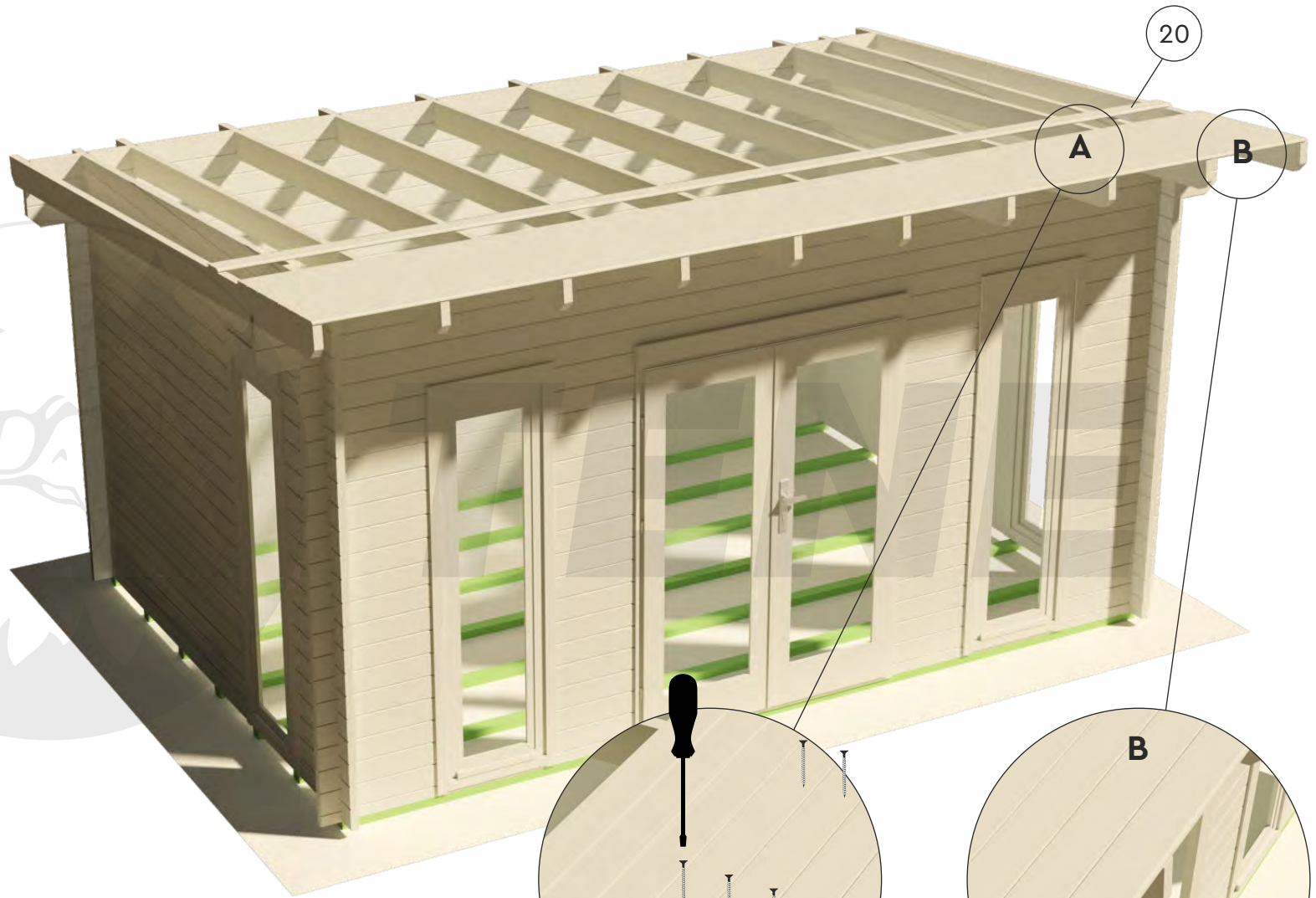
OKLAHOMA 40



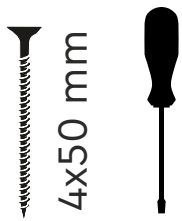
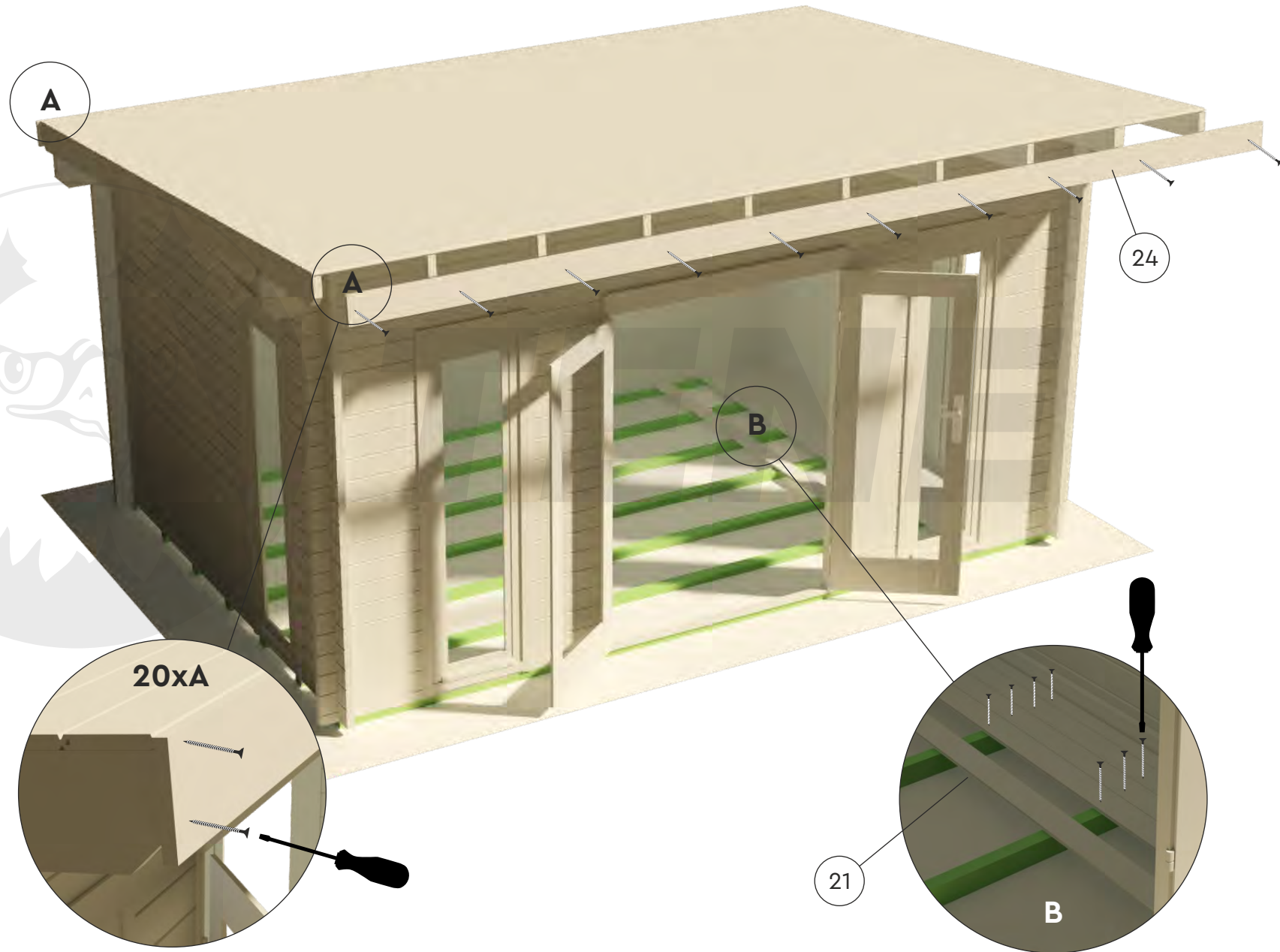
OKLAHOMA 40



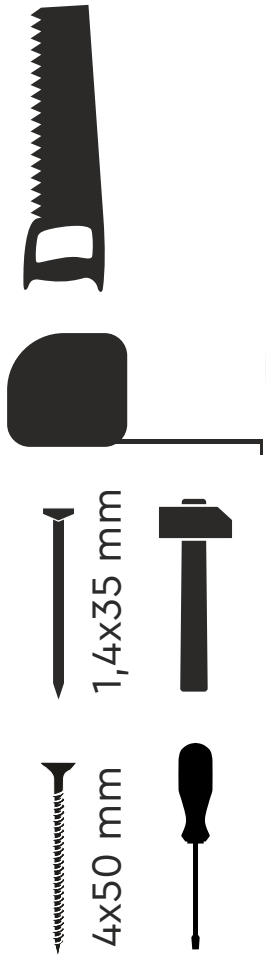
OKLAHOMA 40



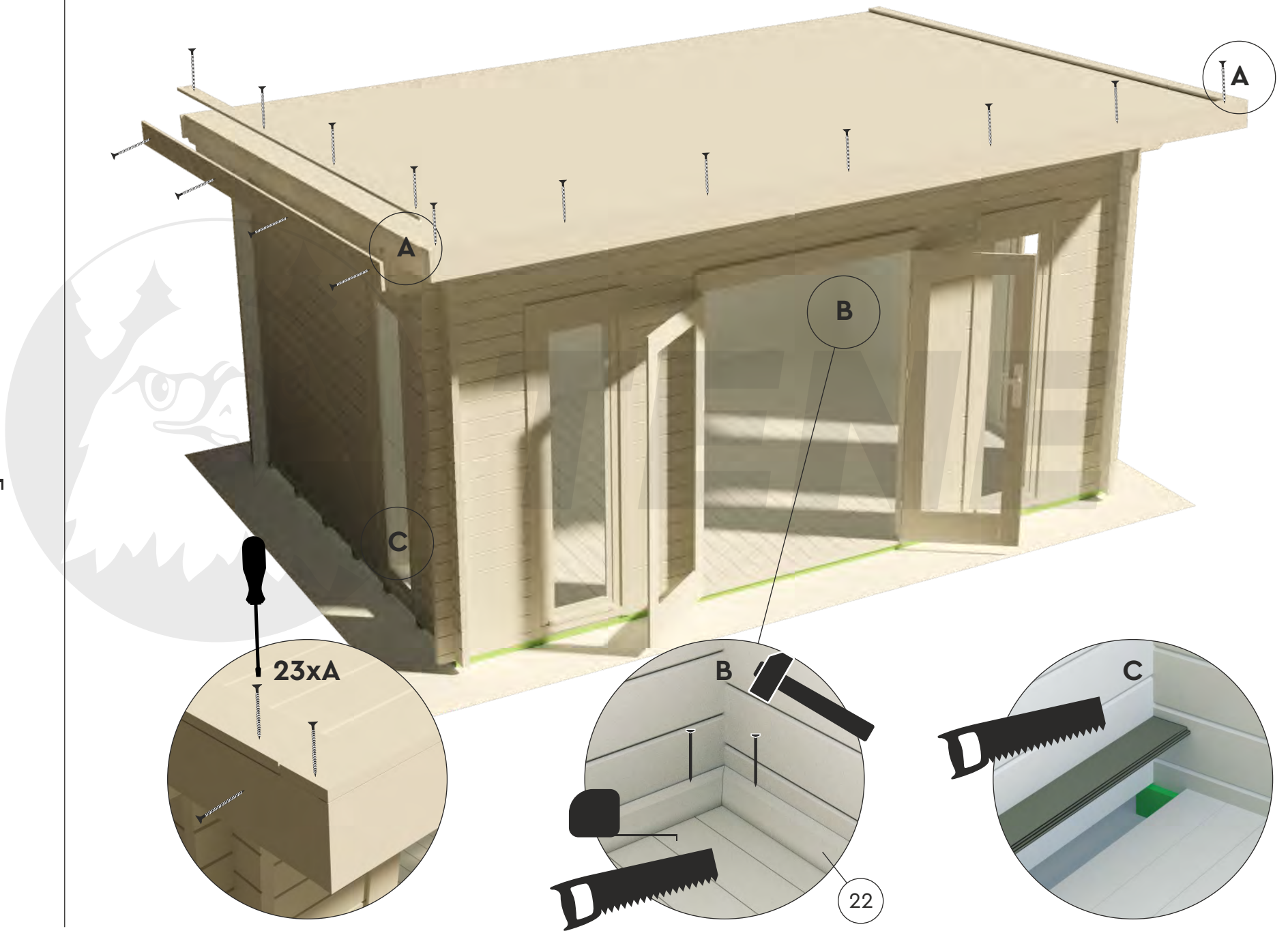
OKLAHOMA 40



OKLAHOMA 40



11/13



OKLAHOMA 40

